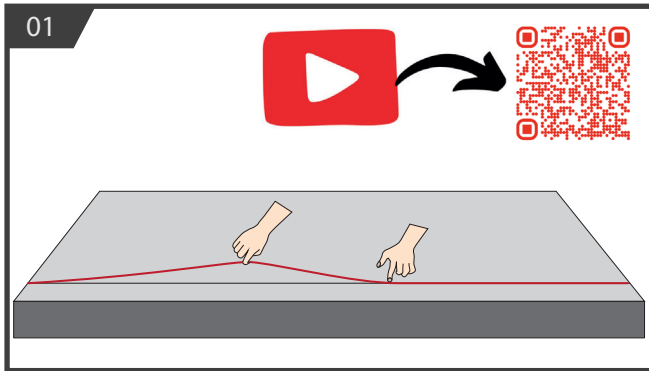


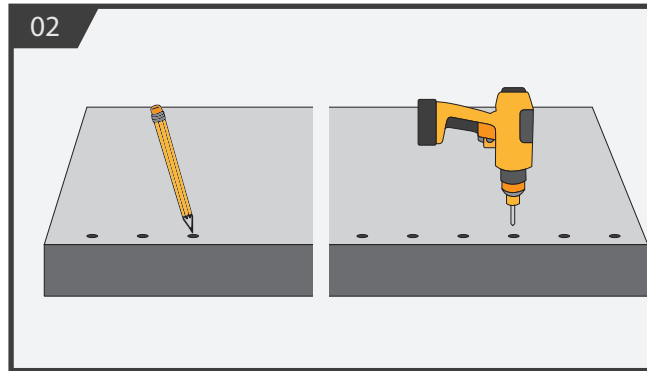
FRAMELESS GLASS ALUMINIUM BALUSTRADE

5pm CUT OFF TIME.
NEXT DAY DELIVERY
10% BULK DISCOUNT



Mark out a line using a string line to indicate the fixing points on a solid base.

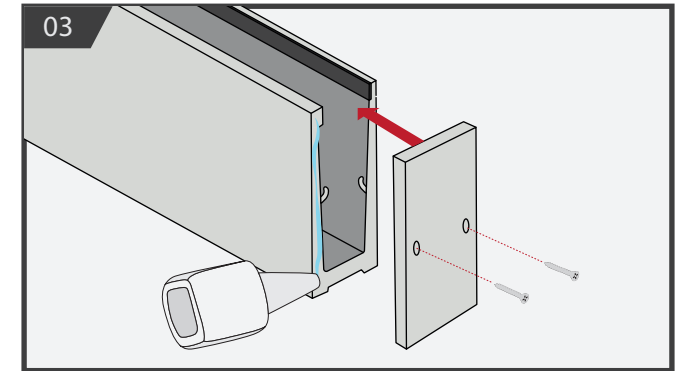
Note: This will be the centre of the channel, so ensure it is positioned 35mm from any edge of the base (the channel is 65mm wide).



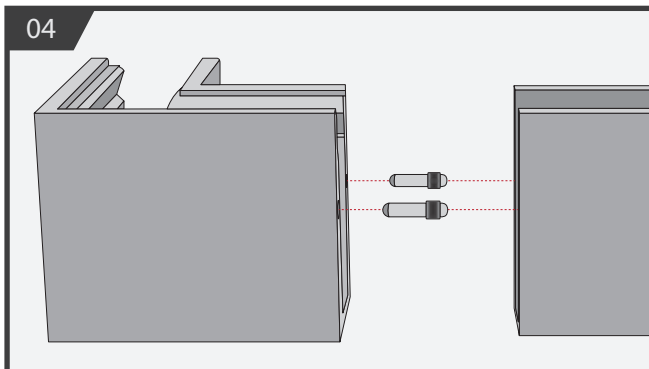
Lay out the channel in full so the centre holes align directly with the string line from Step 1. Mark and drill using a suitable drill bit.

The corner pieces are 150mm, so you may need to cut the channel to accommodate a corner.

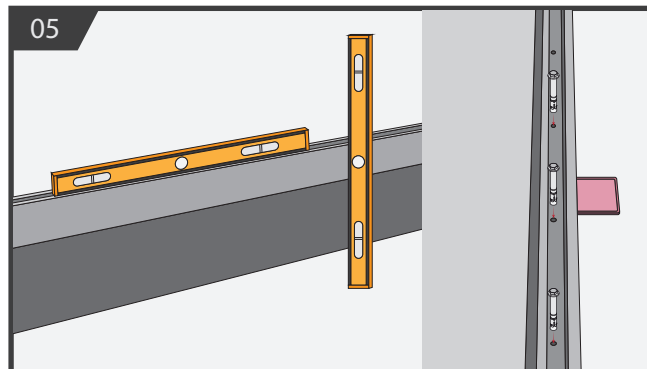
Allow a 5–10mm gap between glass panels.



Before fixing, ensure the end plates are glued and screwed onto the channel.

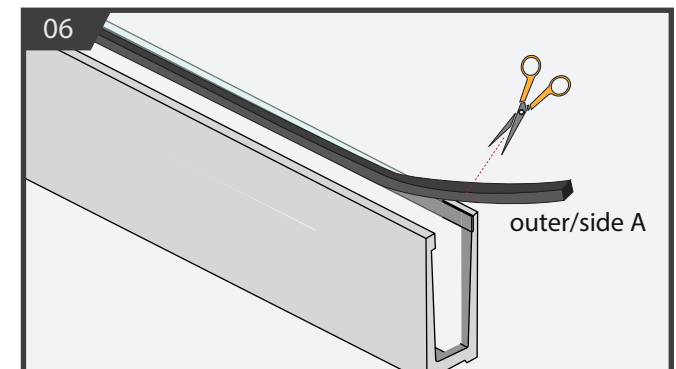


For corner pieces and joins to straight runs, gently tap the two guide pins into position to align.



Check level, square, and plumb. Add packers underneath if the base is not fully level, then fix into position securely using ground bolts.

Note: It is critical to ensure the channel is level, as any irregularities will be visible in the glazing.



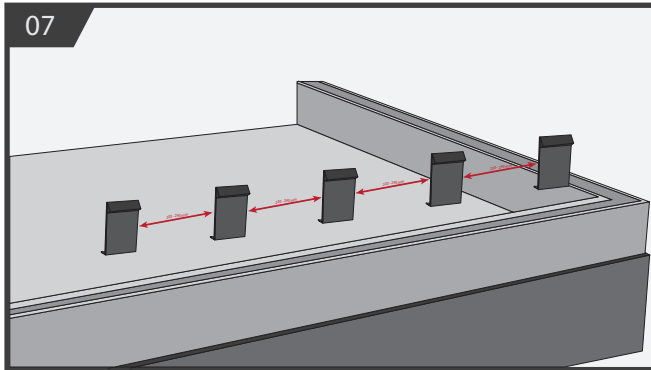
Once the channel is fully secured, install the rubber inserts. These are supplied in 3m sections and are specific to both the outer side (Side A) and inner side (Side B).

Ensure you are using the correct rubber before installation. Start from one end, push firmly into the channel, and work along the length. Cut to size as required.

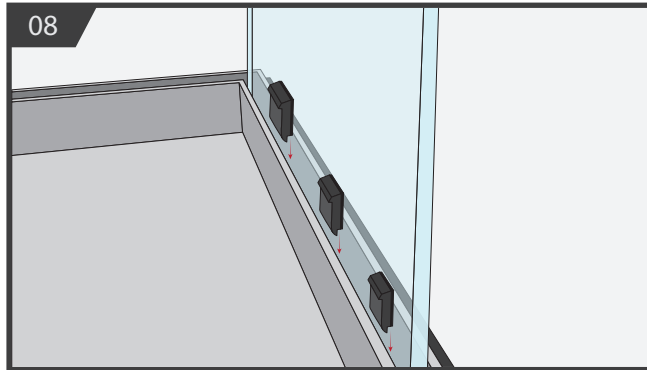
Note: Allow the gasket to climatise before installation. If installing on a balcony, complete the outside face first.

FRAMELESS GLASS ALUMINIUM BALUSTRADE

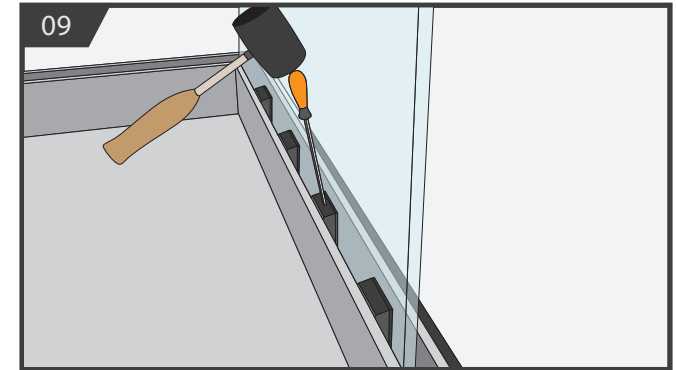
5pm CUT OFF TIME.
NEXT DAY DELIVERY
10% BULK DISCOUNT



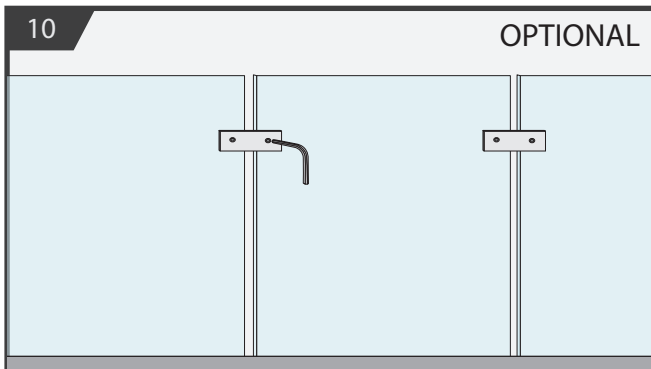
Insert the wedge packers. Start with the L-shaped wedges, placing them at approximately 225–250mm centres against the outer side. Ensure the correct wedge size is selected to suit the glass thickness.



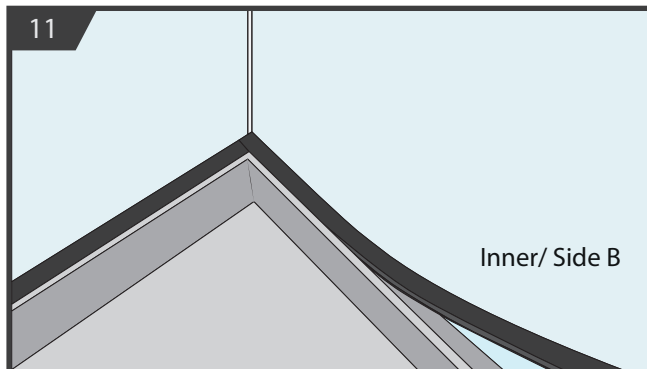
Insert the glass and loosely wedge again at approximately 220–250mm centres on the inner side. Check alignment using a spirit level.



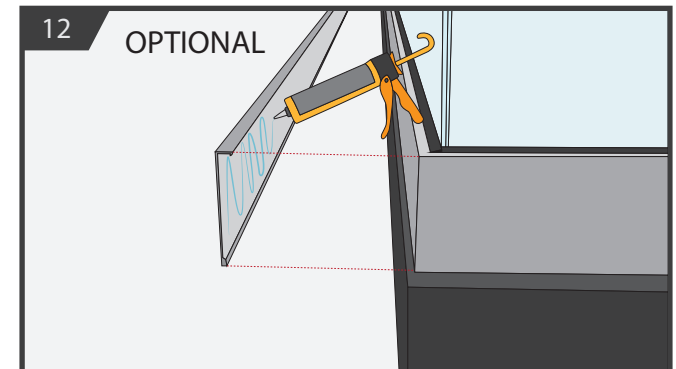
Gently tap the wedges into place, checking levels as you go.



Continue installing additional glass sections. It is advisable to use spacers to maintain consistent gaps. Optional stainless steel spacers may also be used for added security. These lock into position using two hex keys. Tighten by hand only not drill/impact gun and **DO NOT OVERTIGHTEN**



Once complete and you are satisfied no further adjustment or packing is required, install the internal rubber gasket as per Step 6.

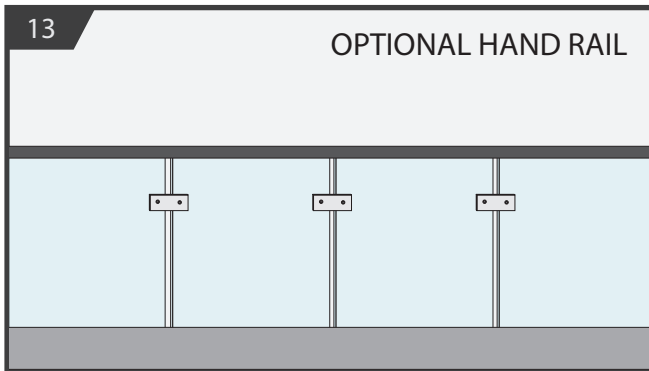


If using alternative finishes such as stainless steel or powder-coated trims, these plates are mitre-cut and fixed to the aluminium channel using a suitable exterior-grade adhesive.

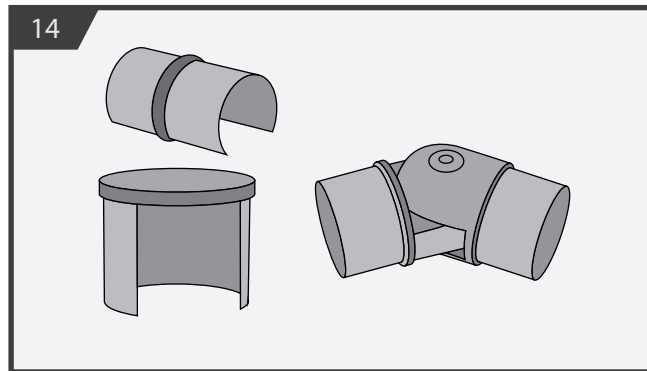


FRAMELESS GLASS ALUMINIUM BALUSTRADE

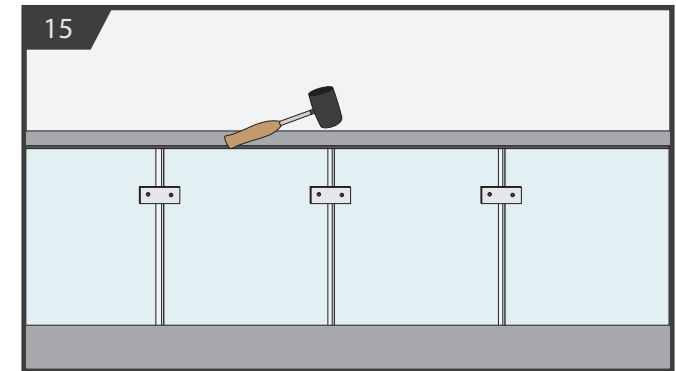
5pm CUT OFF TIME.
NEXT DAY DELIVERY
10% BULK DISCOUNT



If installing a stainless steel handrail top capping, first cover the entire top edge of the glass with the rubber U-gasket. Cut neatly at ends and corners.



Assemble the handrail using straight connectors, corner connectors, and end plates.



Tap into position using a rubber or plastic mallet over the gasket to secure.

