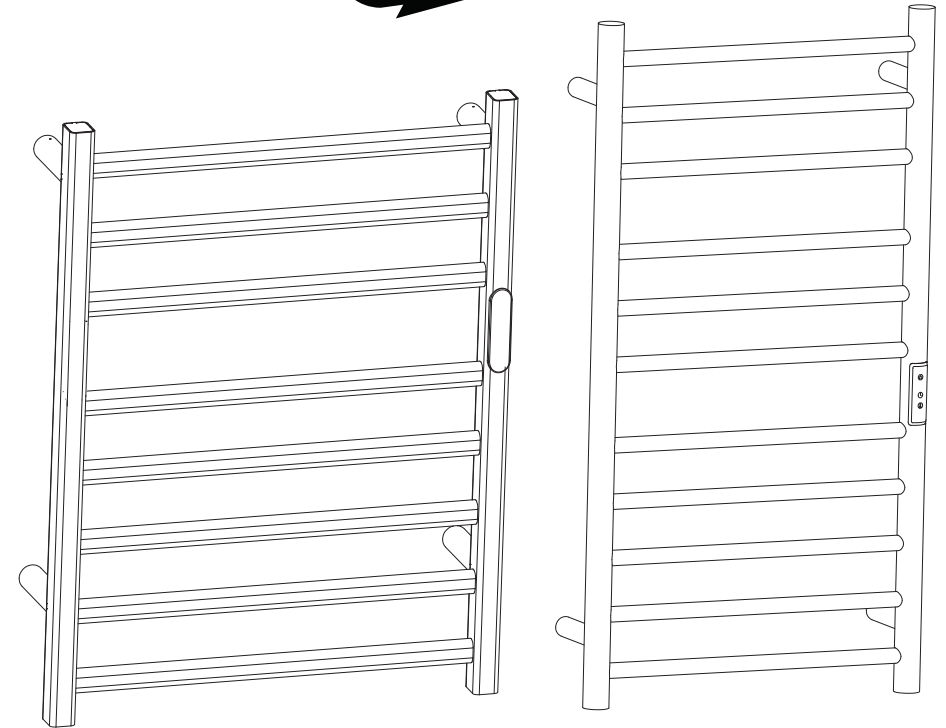


# Electric Heating Towel Rail

## Instruction Manual



**WARNING:** This product must be installed in accordance with the applicable installation code by a competent persons familiar with the installation and operation of the product, IEEE national wiring standards & hazards involved  
This product is only suitable for well insulated spaces or occasional use

**NOTE:** Installation of heater with modification to the unit, or incorrect fitting in accordance with the below instructions could result in damage/failure of product, which may invalidate warranty.



Environmental Protection (W.E.E.E.) – Waste Electrical & Electronic Equipment Regulations (WEEE) requires that any of our products showing this marking must not be disposed of with other household or commercial waste. We do not levy any WEEE disposal charges to its customers for affected WEEE related products. To prevent possible harm to the environment or human health from uncontrolled waste disposal, please separate any such product from other waste types and recycle it responsibly at your local facilities. Check with your Local Authority, Recycling Centre or retailer for recycling advice. If, when you purchased product, your supplier included a WEEE disposal fee, you should then contact your supplier for advice on their take-back of the product for the correct disposal.

**MANUFACTURER'S GUARANTEE-** This product is guaranteed in the country of purchase for the number of years as stated from the date of purchase. The guarantee is invalid in the case of improper use, installation, tampering, removal of the Q.C. date label, installation in an improper working environment or installation not in accordance with the advised instructions and/or national wiring regulations. Should this product fail during the guarantee period it will be replaced free of charge, subject to correct installation and return of the faulty unit. We not accept responsibility for any installation costs associated with the replacement of this product. This warranty is in addition to the statutory rights in your country of purchase and reserve the right to alter specifications without prior notice.

Model		Size	
Rated Voltage	220-240V~,50HZ	Rated Power	80W/140W/145W/200W
Surface temperature(test condition)	40~50°C		

## Installation Precautions

### 1. IMPORTANT SAFETY INFORMATION

#### DANGER – RISK OF ELECTRIC SHOCK

Always isolate the electrical supply before installation, maintenance, or cleaning.  
 This appliance is intended for domestic towel warming only. It is not designed to be a primary room heater.  
 This product must not be used by children or persons with reduced physical, sensory, or mental capabilities unless supervised or instructed by a responsible person.  
 Children and pets must be kept away from the appliance during operation.  
 The towel rail surface may become hot during and after use. Avoid prolonged contact to prevent burns.  
 Do not cover the towel rail with excessive materials other than towels intended for drying.  
 If the supply cord is damaged, it must be replaced by the manufacturer, its service agent, or a similarly qualified person to avoid hazard.

### 2. INTENDED INSTALLATION LOCATION (BATHROOM USE)

This electric towel rail is rated IPX4.  
 It may only be installed outside bathroom Zones 0, 1 and 2, in accordance with UK wiring regulations.  
 Never install within 600 mm of a bath, shower, sink, tap, or any water source.  
 The appliance must not be within reach of a person using a bath or shower.  
 All bathroom electrical installations must be carried out by a qualified and competent electrician, with full understanding of UK bathroom zoning requirements.

### 3. ELECTRICAL REQUIREMENTS

Rated voltage: AC 230–240 V ~ 50 Hz  
 Protection class: Class I (Earth required)  
 Connection method:  
 Permanently connected via a 13 A fused spur, installed by a qualified electrician

⚠ If permanently connected, the appliance must only be installed by a qualified and competent electrician. Failure to do so may invalidate warranty and create a safety risk.

### 4. ELECTRICAL CONNECTION

Ensure excess cable is secured and does not touch hot surfaces.  
 Hard-wired version  
 Must be connected via a 13 A fused spur.  
 Installation must be carried out by a qualified electrician only.

⚠ Incorrect installation may result in electric shock, fire hazard, or product failure.

### 5. FINAL SAFETY CHECK BEFORE POWERING ON

The towel rail is securely fixed and level.  
 Clearance distances are maintained.  
 Electrical connection is correctly completed.  
 No visible damage to the product or power cable.  
 Only once all checks are complete may the appliance be powered on.

### 6. IMPORTANT USE LIMITATIONS

Do not operate the appliance in ambient temperatures below 5 °C or above 35 °C.  
 Do not use outdoors.  
 Do not modify the appliance or its electrical components.  
 Do not use the towel rail for purposes other than towel warming.

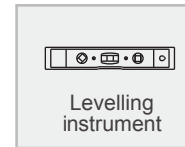
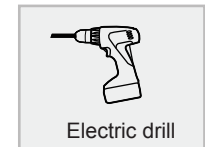
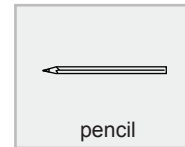
### 7. MAINTENANCE & CLEANING (SAFETY RELATED)

Switch off and isolate from the power supply before cleaning.  
 Allow the appliance to cool completely.  
 Clean using a soft, damp cloth only.  
 Do not allow water or liquids to enter electrical components.  
 Do not use abrasive cleaners or solvents.

### 8. LEGAL & RESPONSIBILITY NOTICE (UK)

This product must be installed and used in accordance with:  
 UK electrical safety practices  
 Local building and wiring regulations  
 The Importer / Seller is not responsible for damage or injury resulting from incorrect installation or non-compliant electrical connection.

## Installation Tools



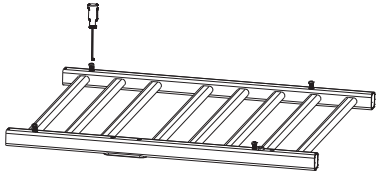
Note: When using the electric drill, please choose different drills according to different walls to avoid damage to the wall.

## Accessories List

illustration	Accessories name	illustration	Accessories name
	Install the foot x 3 lead-out leg foot x 1		Bush x3
	M5*18 screw x 4		Concealed-wire bushing x1
	ST3.9*30 screw x 4		Wall Plug (Plastic Anchor) x4
	M5*4 set screw x 4		M5*4 set screw x 4

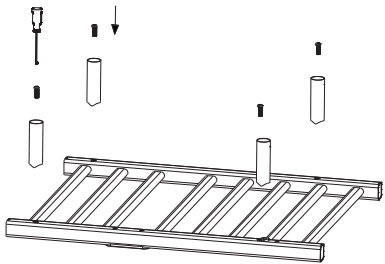
## Installation Methods

1



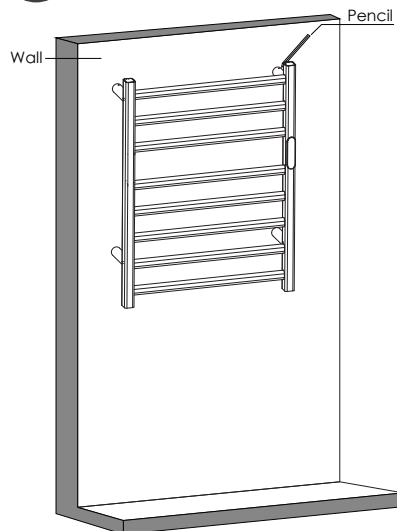
◀ Take out the towel rack. Remove the four M5\*18 screws installed on the towel rack

2



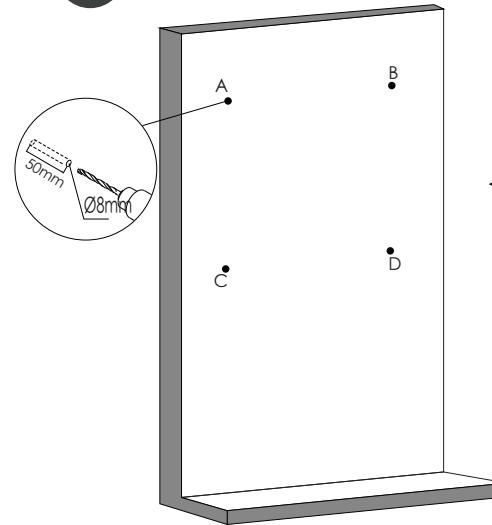
◀ Then, attach the four leg tubes to the towel rack by driving the four M5\*18 screws into place using a screwdriver

3



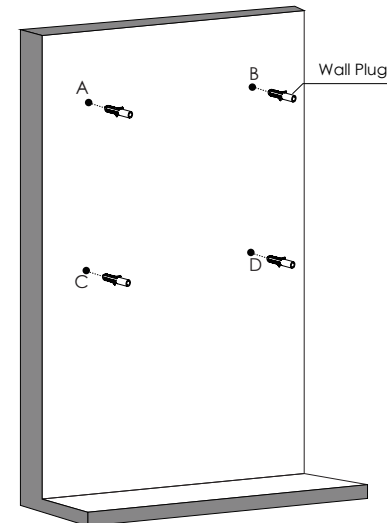
◀ Position the product against the wall and level it, then trace the outline of the four leg tubes on the wall along their edges with a pencil.

4



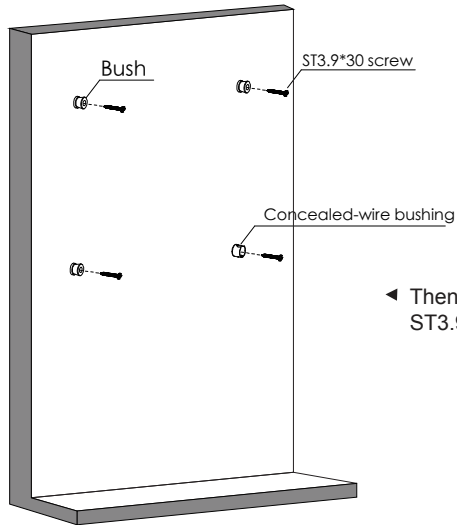
◀ Mark the four drilling positions A, B, C and D with a pencil at the center of each circle. Drill the installation holes at the marked positions with the specifications of 8mm in diameter and 50mm in depth.

5



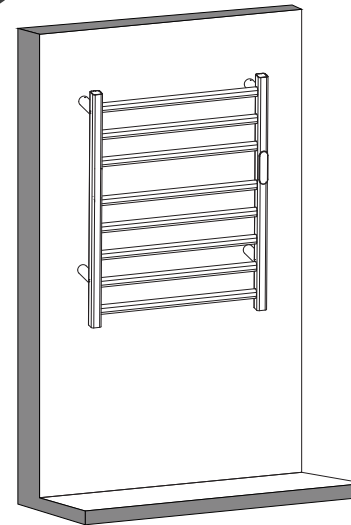
◀ Insert the wall plugs into the four drilled holes at positions A, B, C, and D. Ensure the plugs are driven in until they are flush with the bush.

6



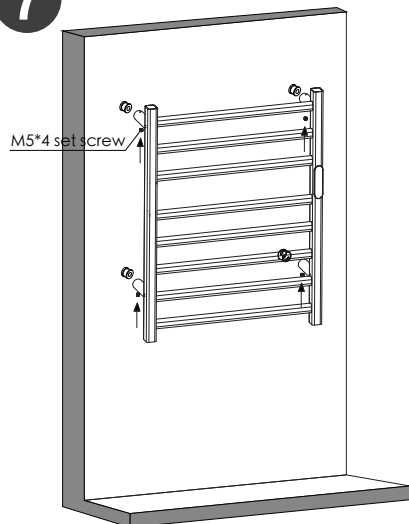
◀ Then, secure the bush in place using the ST3.9\*30 self-tapping screws.

8



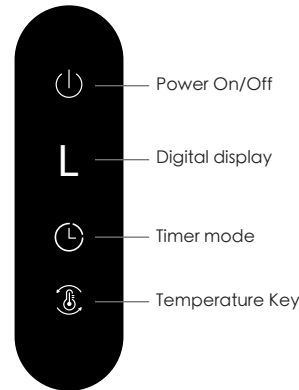
◀ The product installation is now complete.

7



◀ Snap the pre-assembled towel rack onto the bush that are already installed. Then, use a screwdriver to tighten the M5\*4 set screws .

## Temperature and Timer Operation



1. When the unit is connected to the power supply, the display lights up briefly for 1 second and then switches off.
2. Press the Power button to turn the towel rail on. The unit will start using the last temperature and timer settings saved before it was switched off. On first use, the default settings are High (H) and 3 hours.
3. Press the Temperature button to switch between High (H: 50 °C) and Low (L: 40 °C) heat settings.
4. Press the Timer button to set the operating time. Each press changes the timer by 1 hour. The timer cycles through 1h to 8h and then returns to the start.