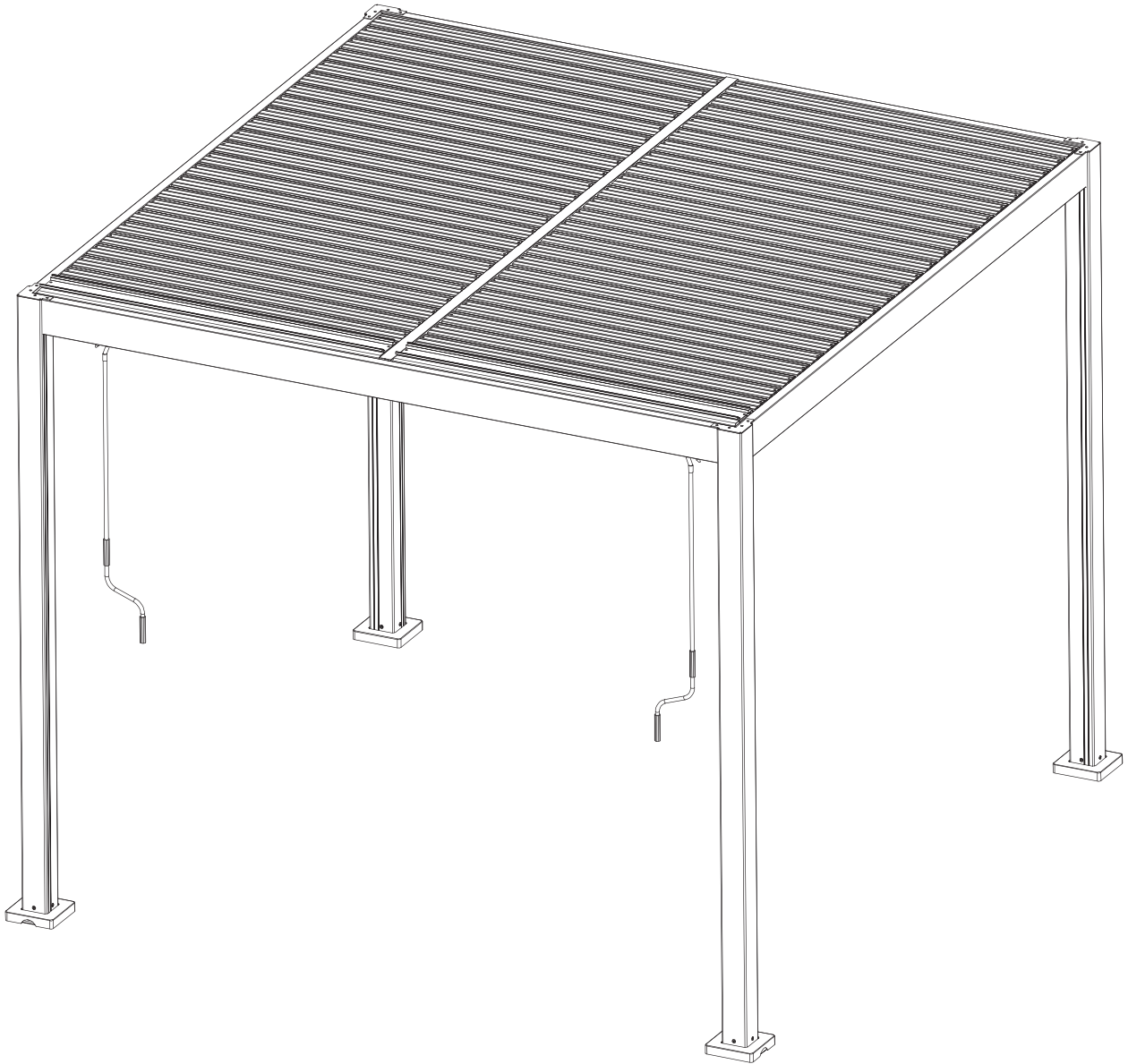




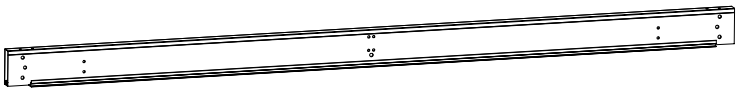




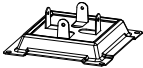
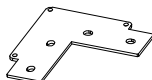



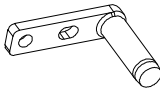
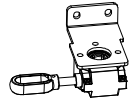
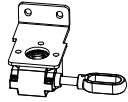
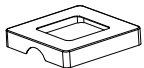




OMPOSITEDECKINGUK.COM

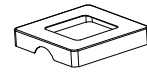


**Aluminium Pergola
3m x 3m x 2.5m h**

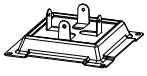
Name	part code	part sketch	Quantity
	A		4
	B		1
	C		1
	D		1
	E		1
	F		1
	G1		2
	H		46
	I		2
	J		4
	K		4
	L		2
	M		2
	N		2
	O		4
	P		1
	Q		1
	R		4



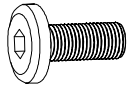
A:4pcs



R:4pcs



J:4pcs

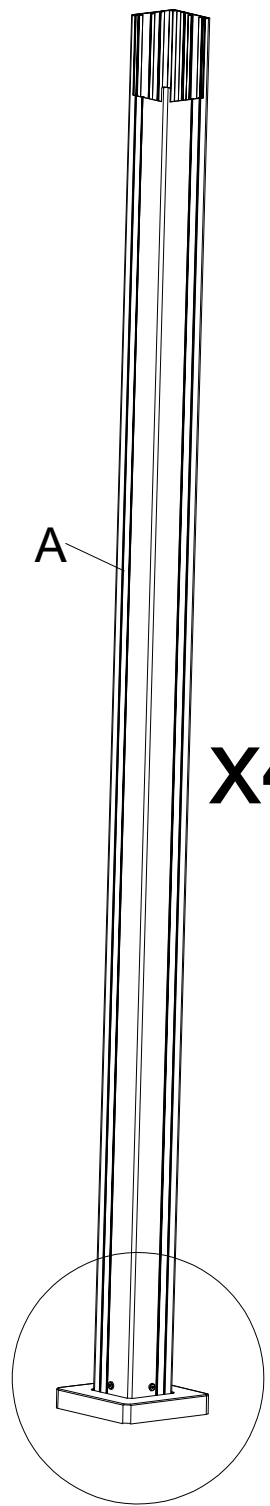
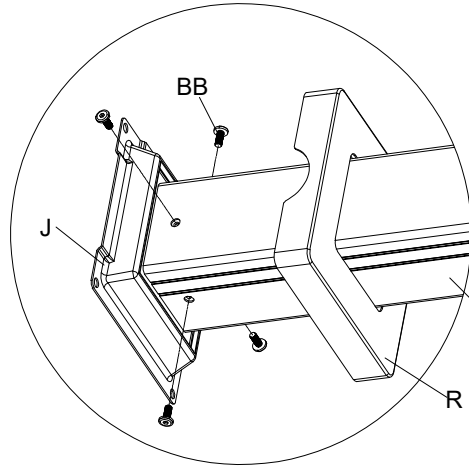
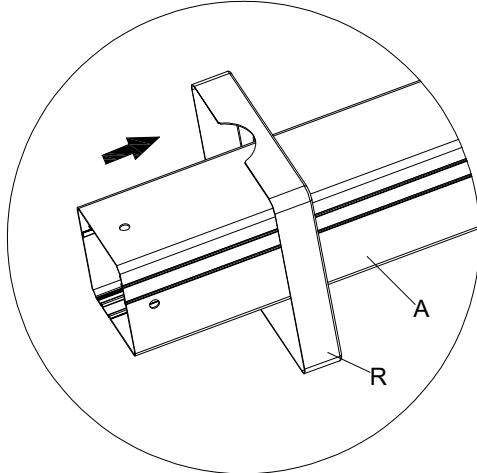
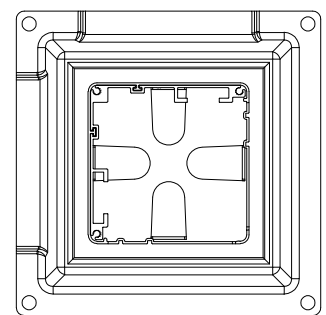


BB:16pcs



KK:1pcs

STEP 1



x4



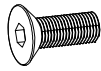
E:1pcs



F:1pcs



L:2pcs

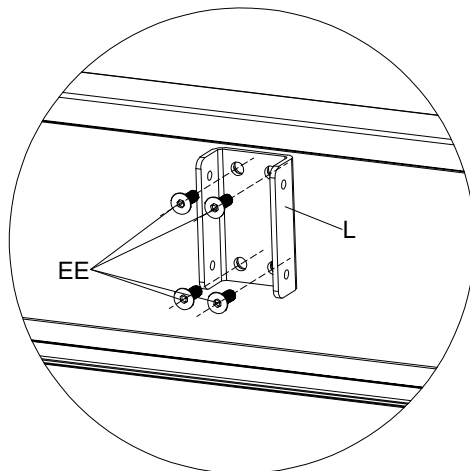
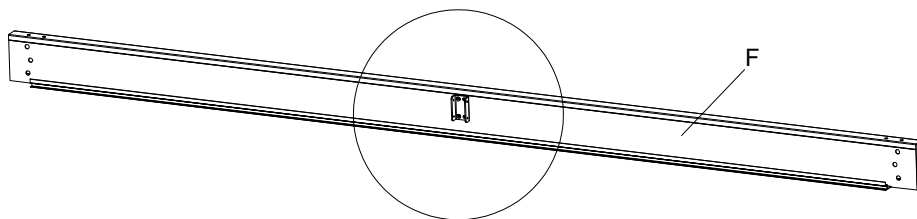
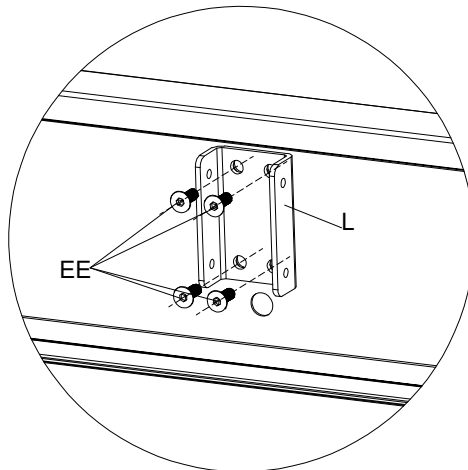
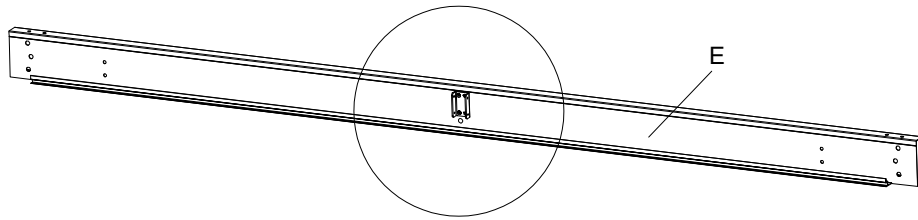


EE:8pcs



KK:1pcs

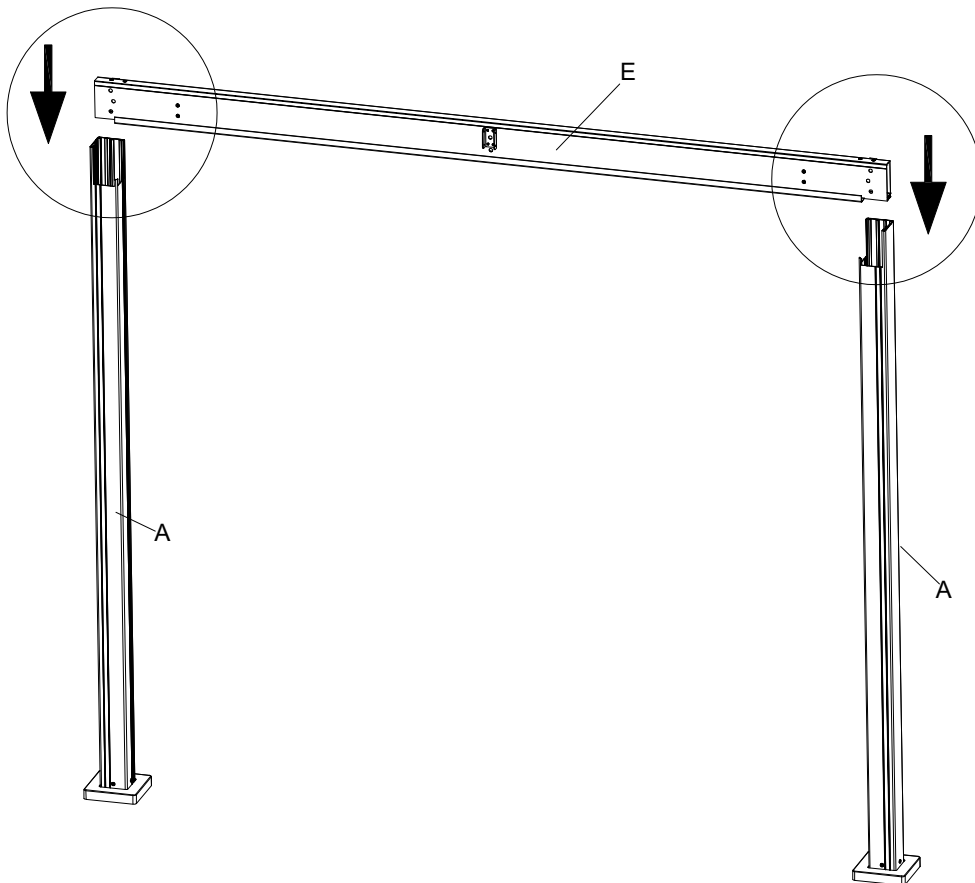
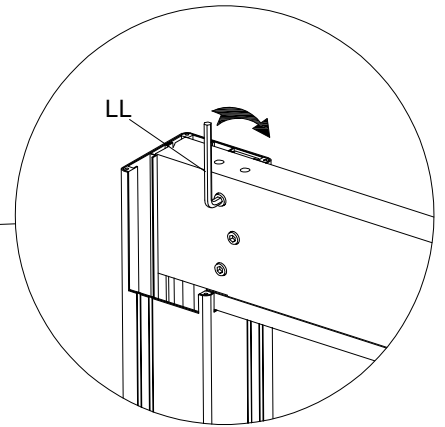
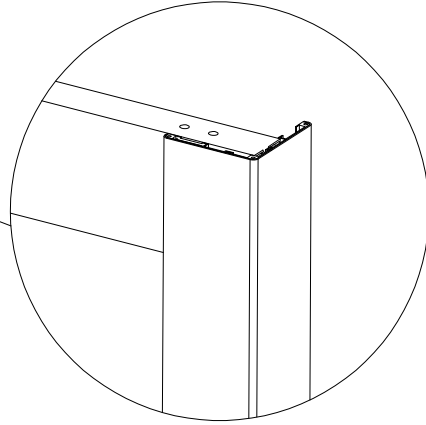
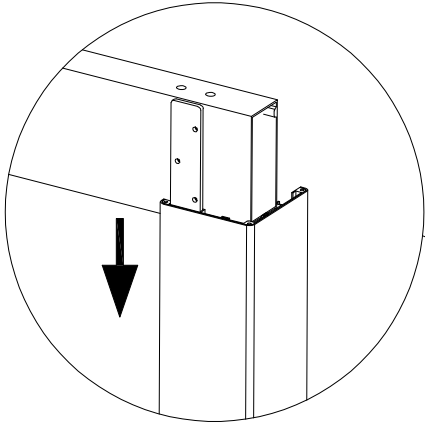
STEP 2





LL:1pcs

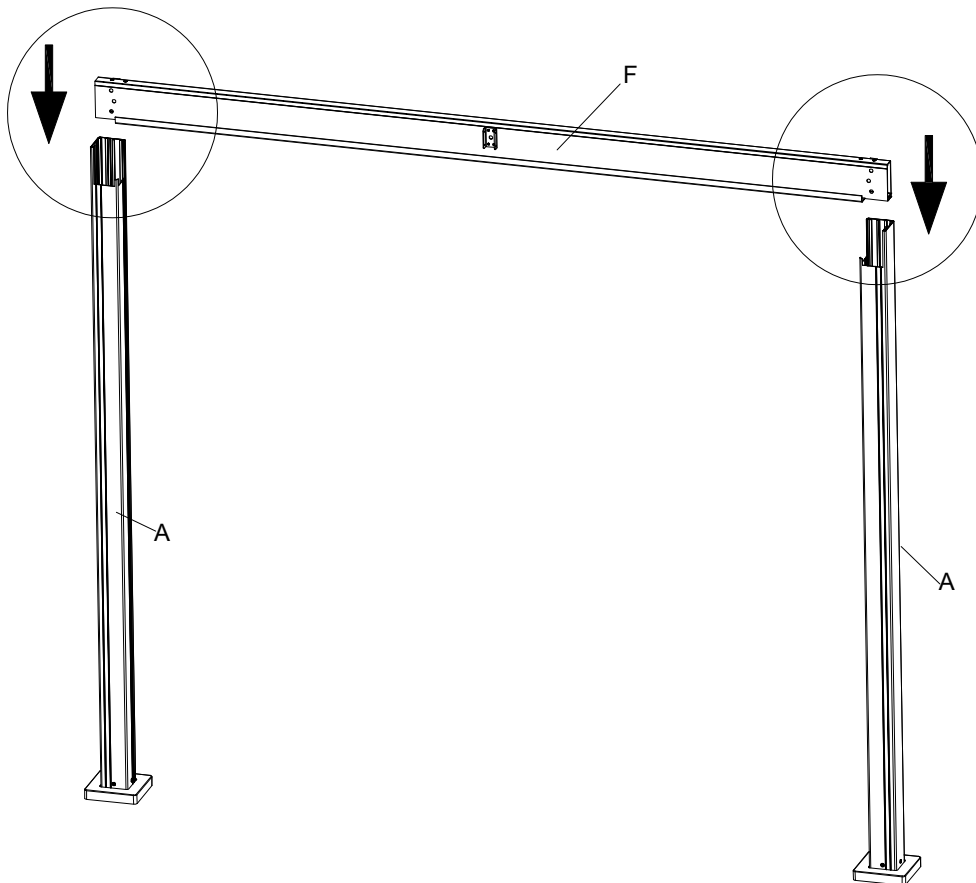
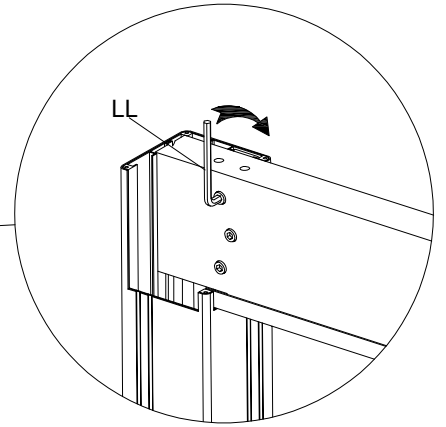
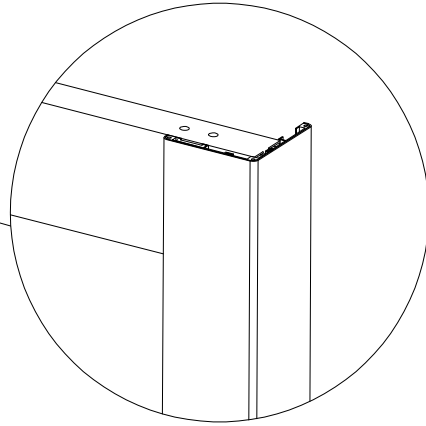
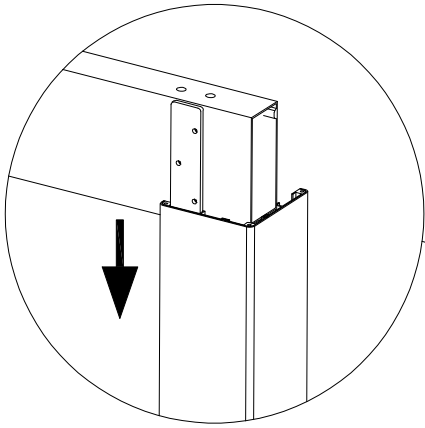
STEP 3





LL:1pcs

STEP 4





B:1pcs

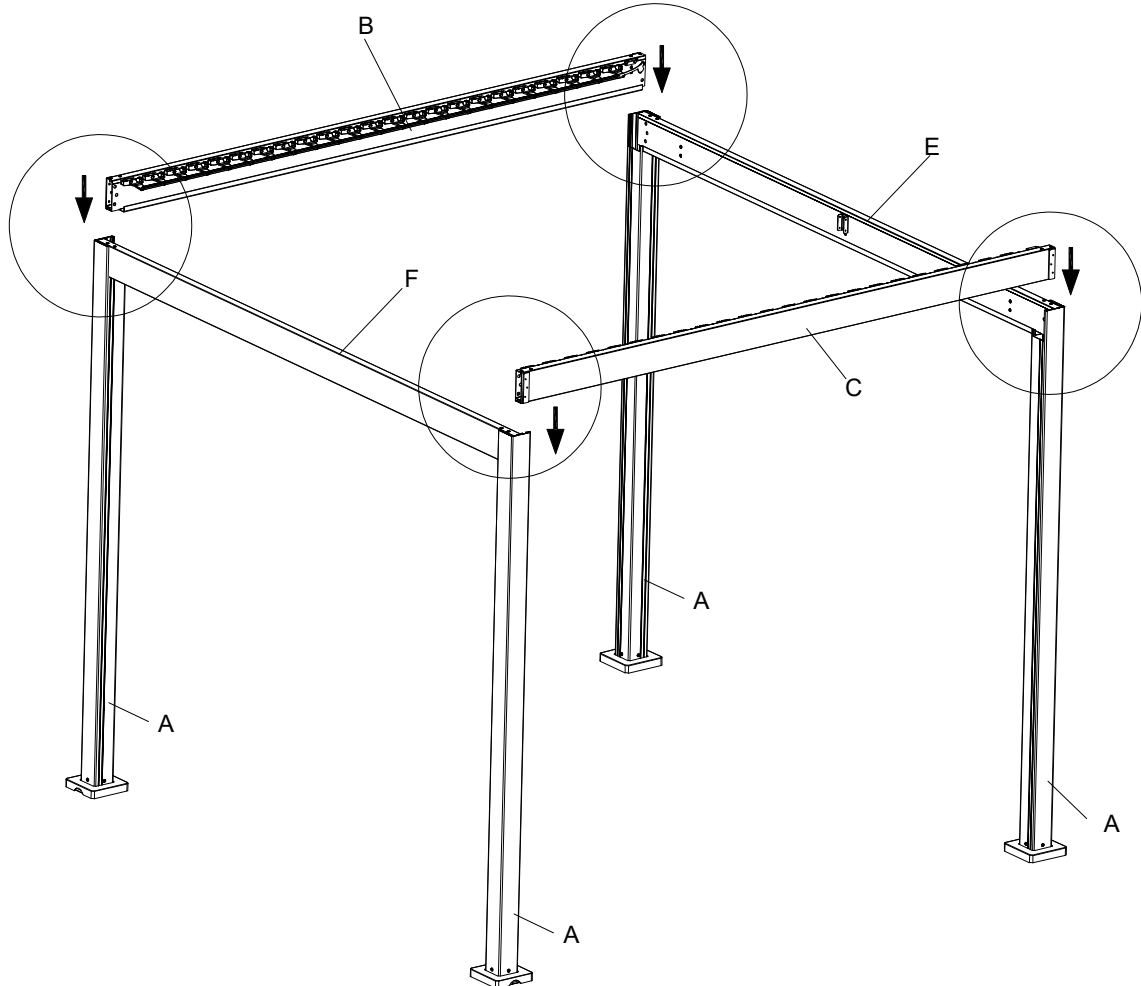
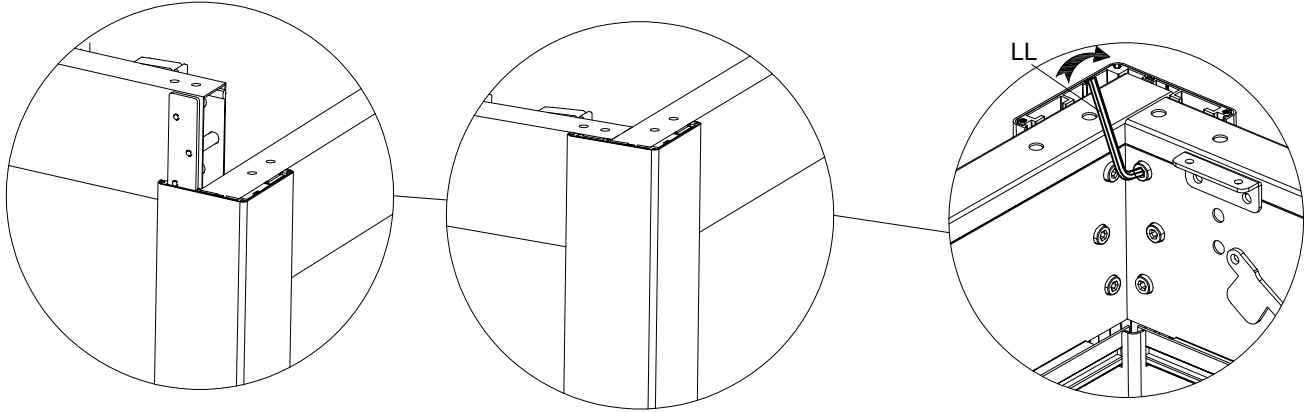


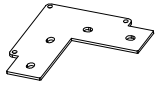
C:1pcs



LL:1pcs

STEP 5

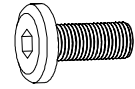




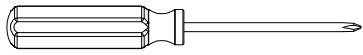
K:4pcs



AA:12pcs



BB:16pcs

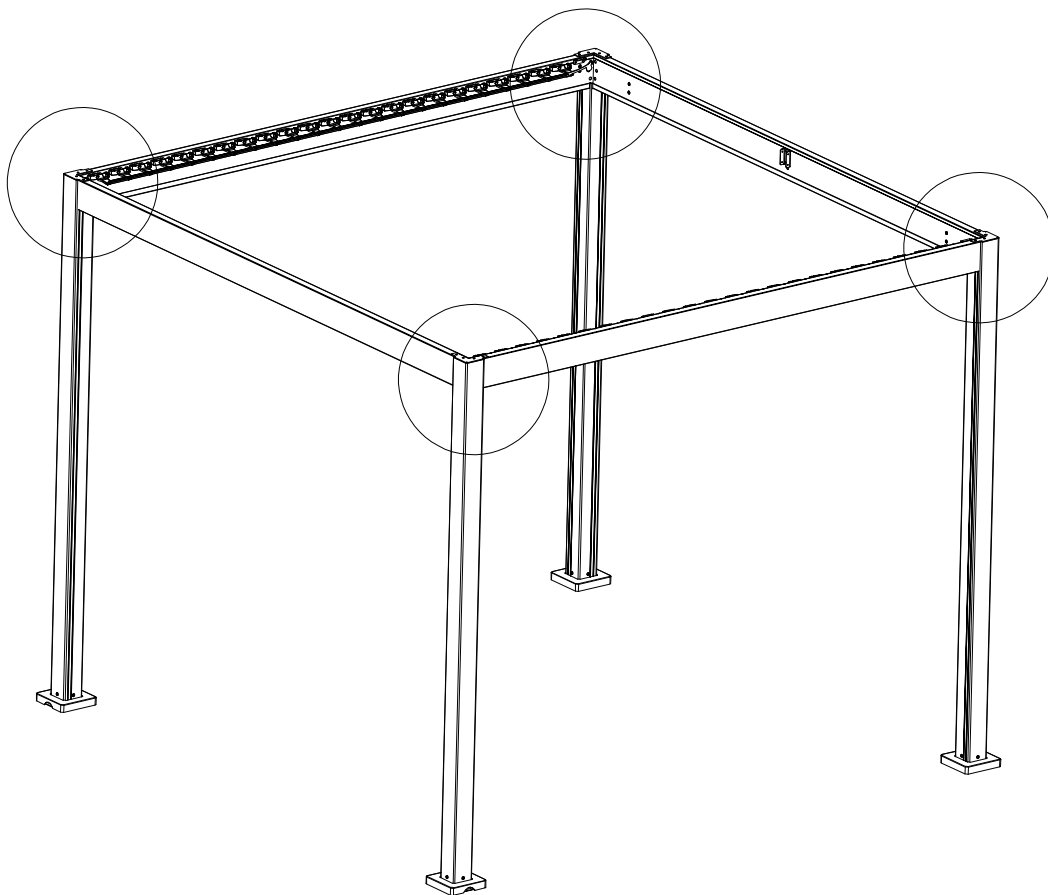
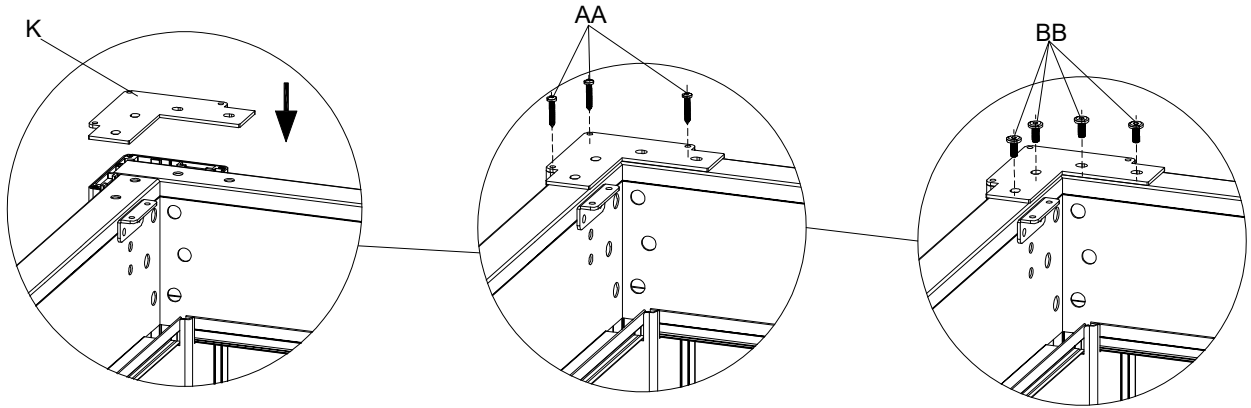


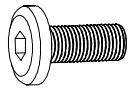
MM:1pcs



KK:1pcs

STEP 6



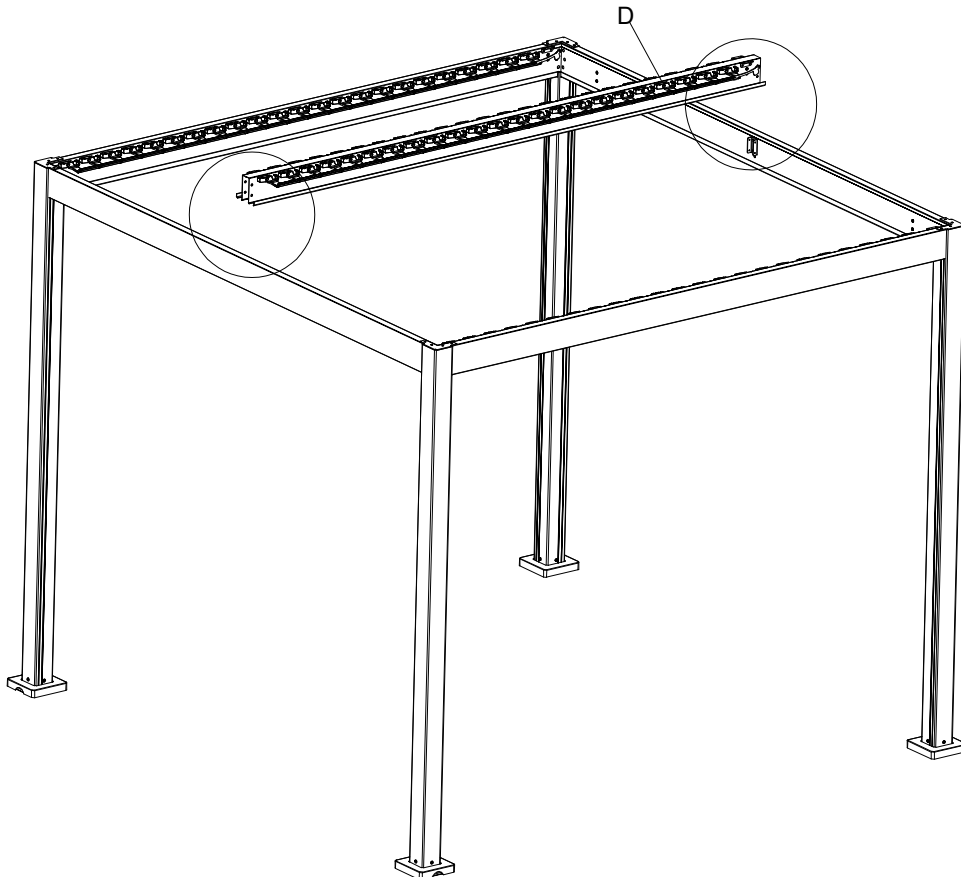
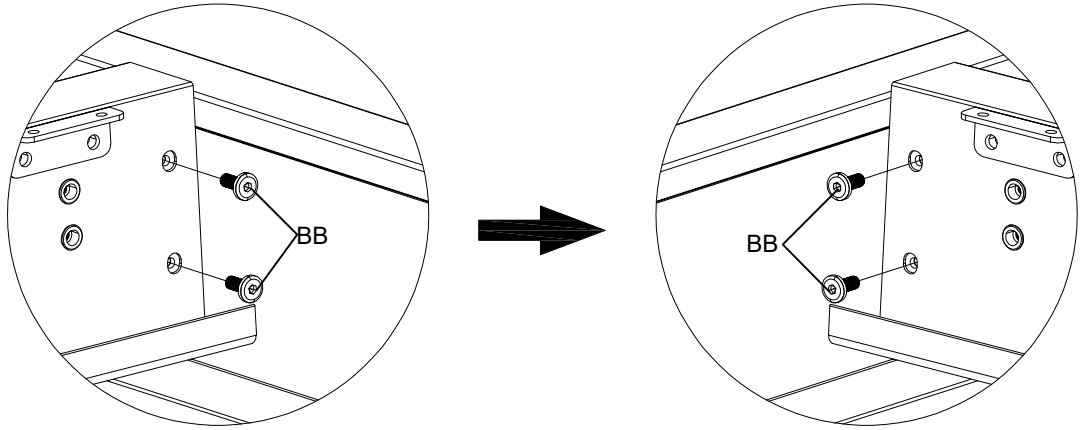


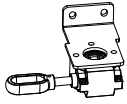
BB:8pcs



KK:1pcs

STEP 7





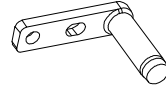
P:1pcs



M:1pcs

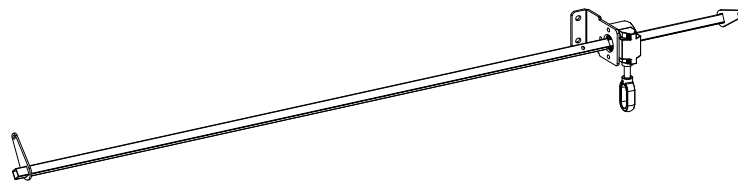
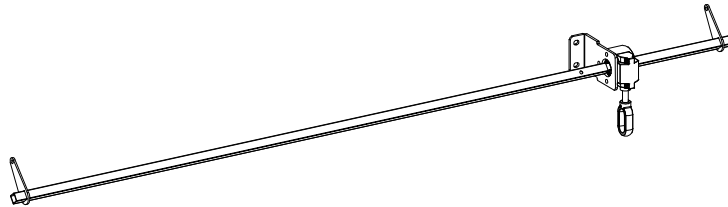
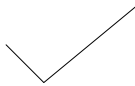
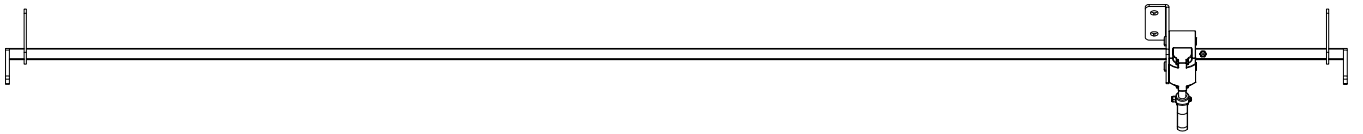
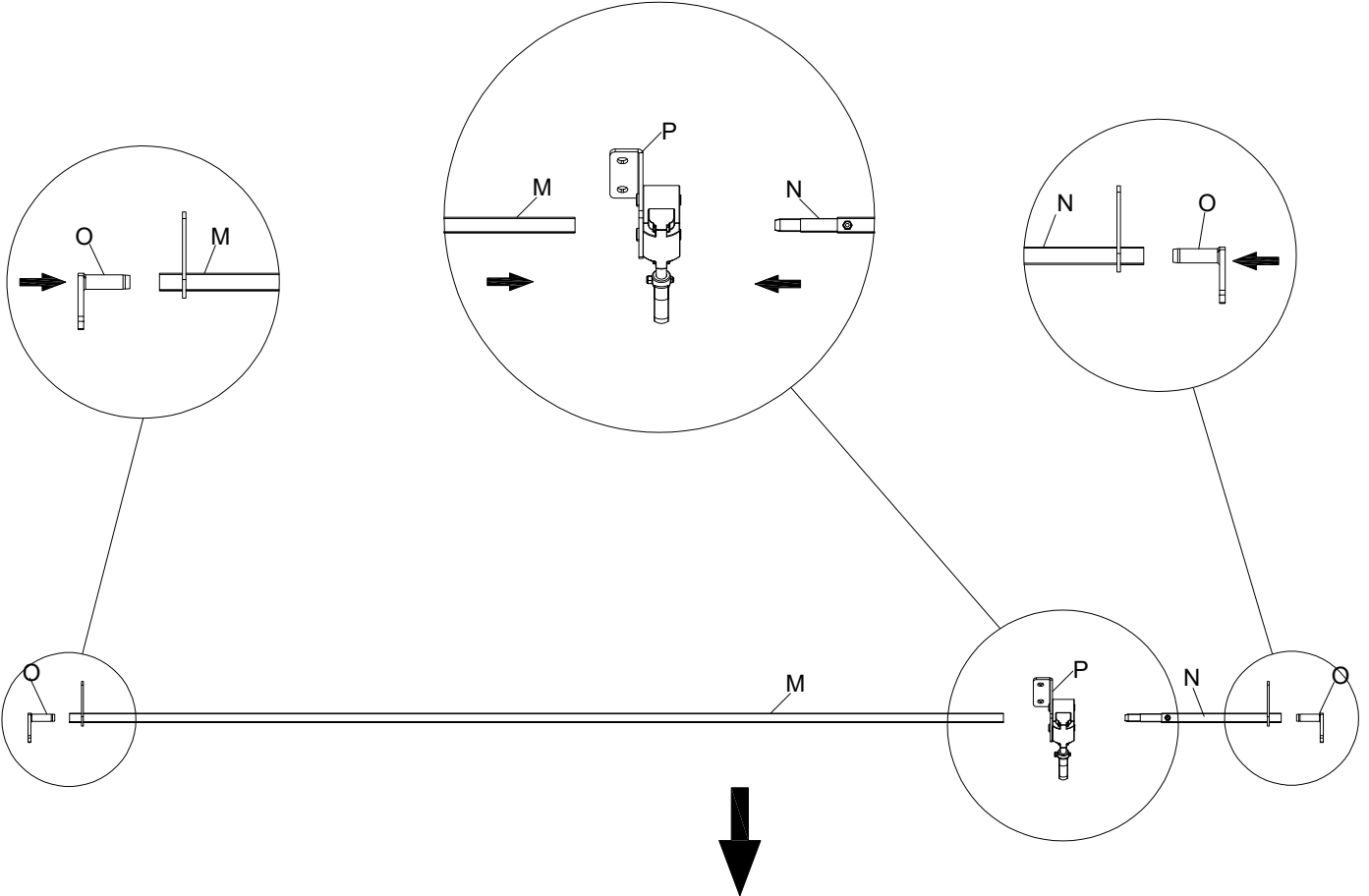


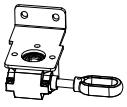
N:1pcs



O:2pcs

STEP 8

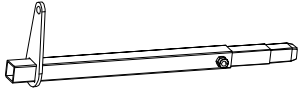




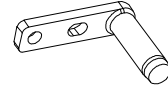
Q:1pcs



M:1pcs

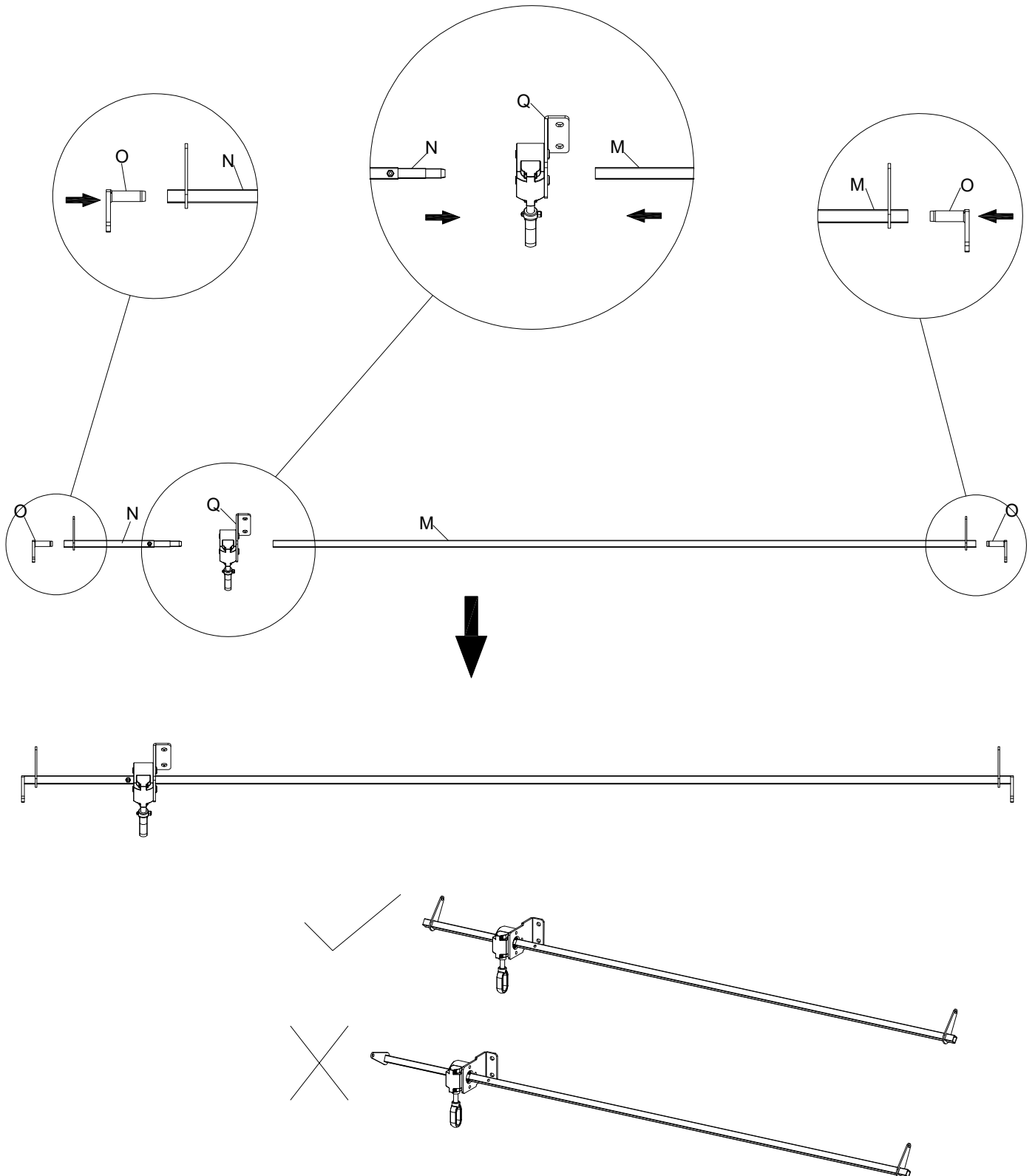


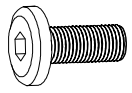
N:1pcs



O:2pcs

STEP 9



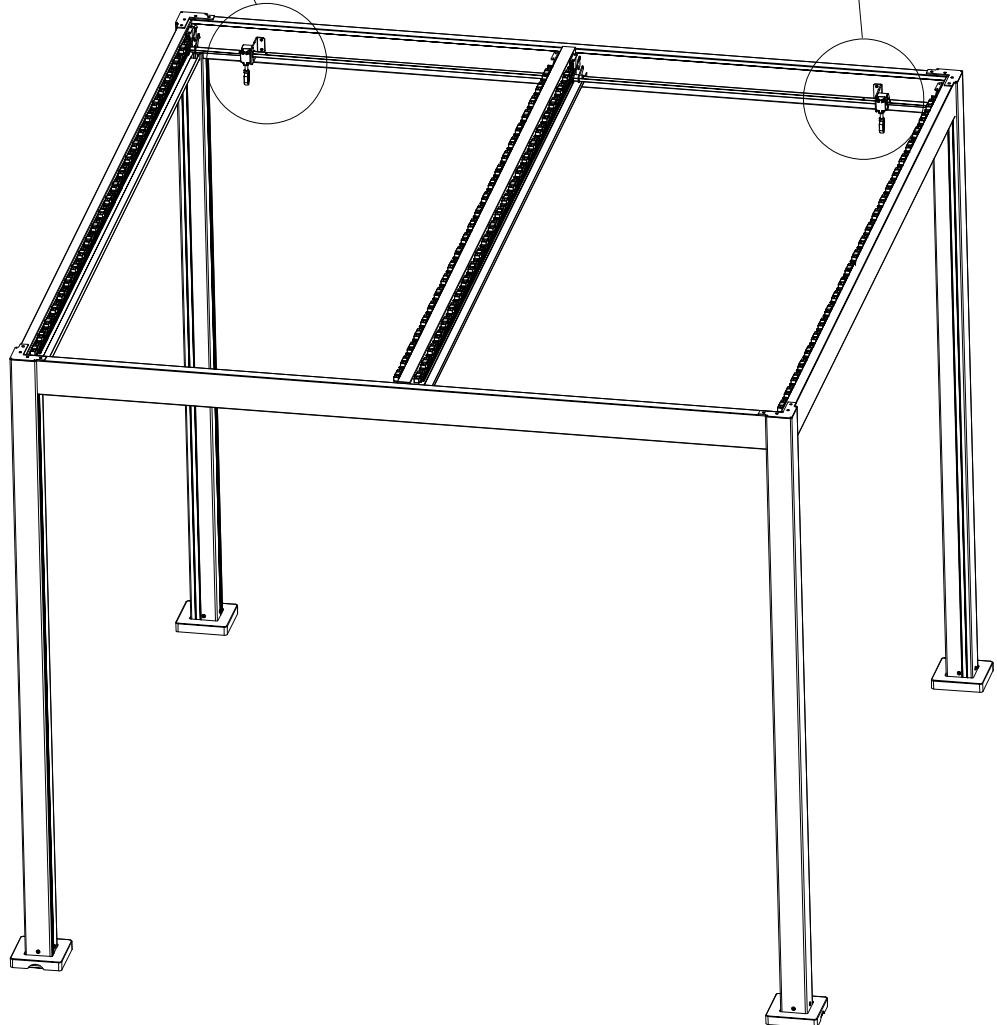
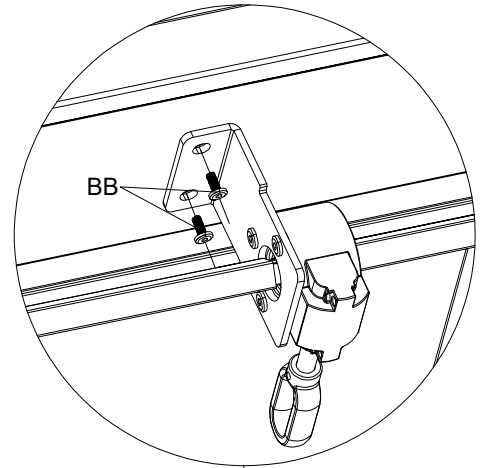
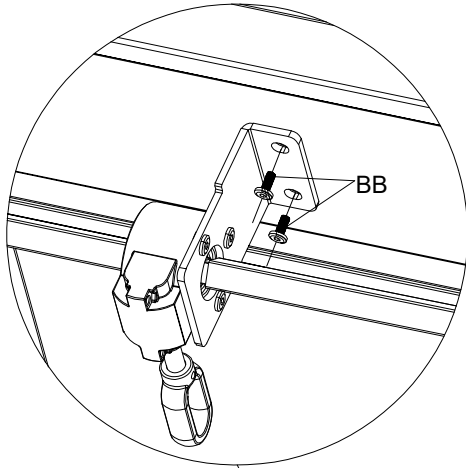


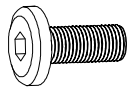
BB:4pcs



KK:1pcs

STEP 10



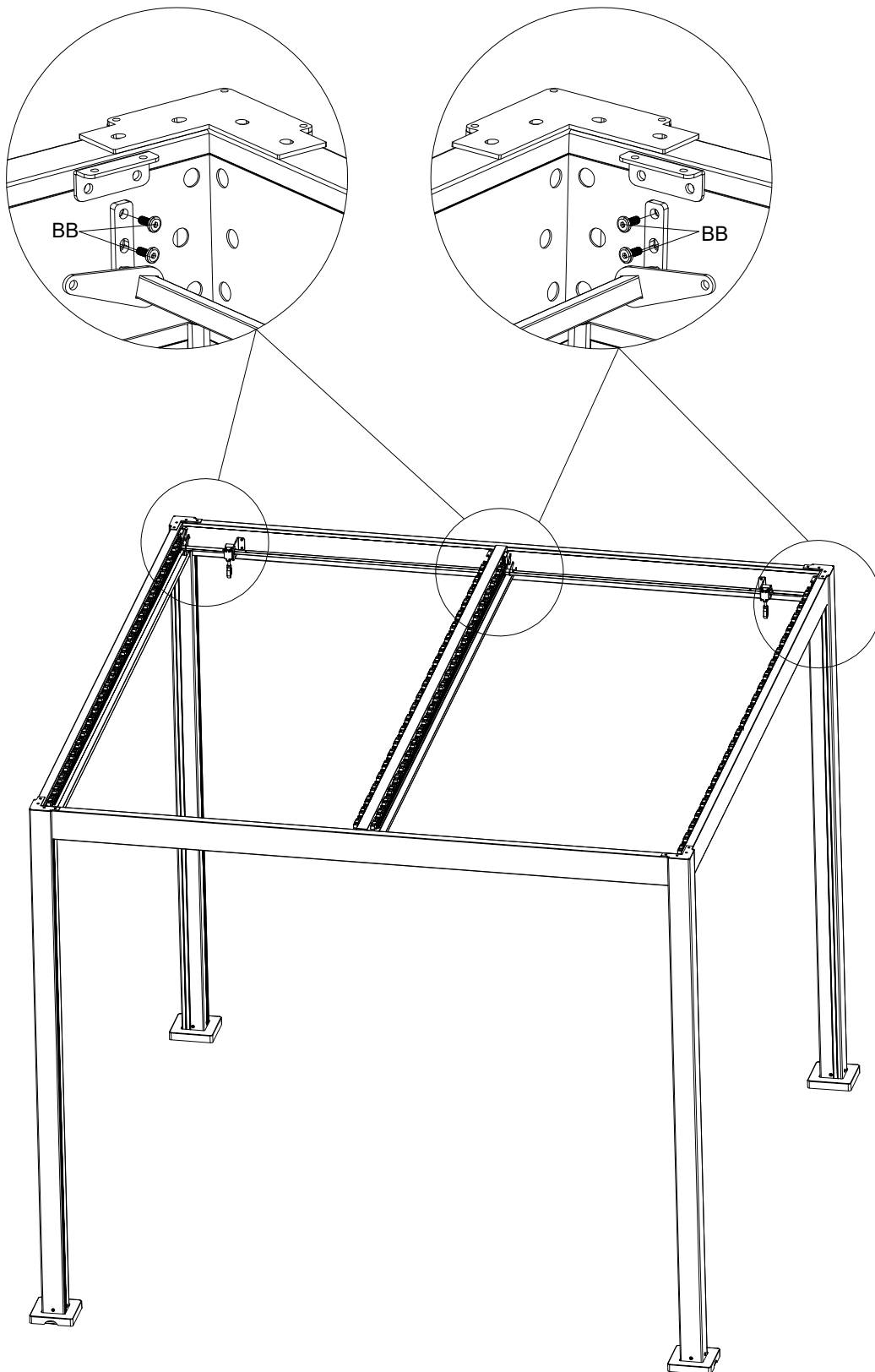


BB:8pcs



KK:1pcs

STEP 11





BB:4PCS



KK:1PCS



GG:4PCS

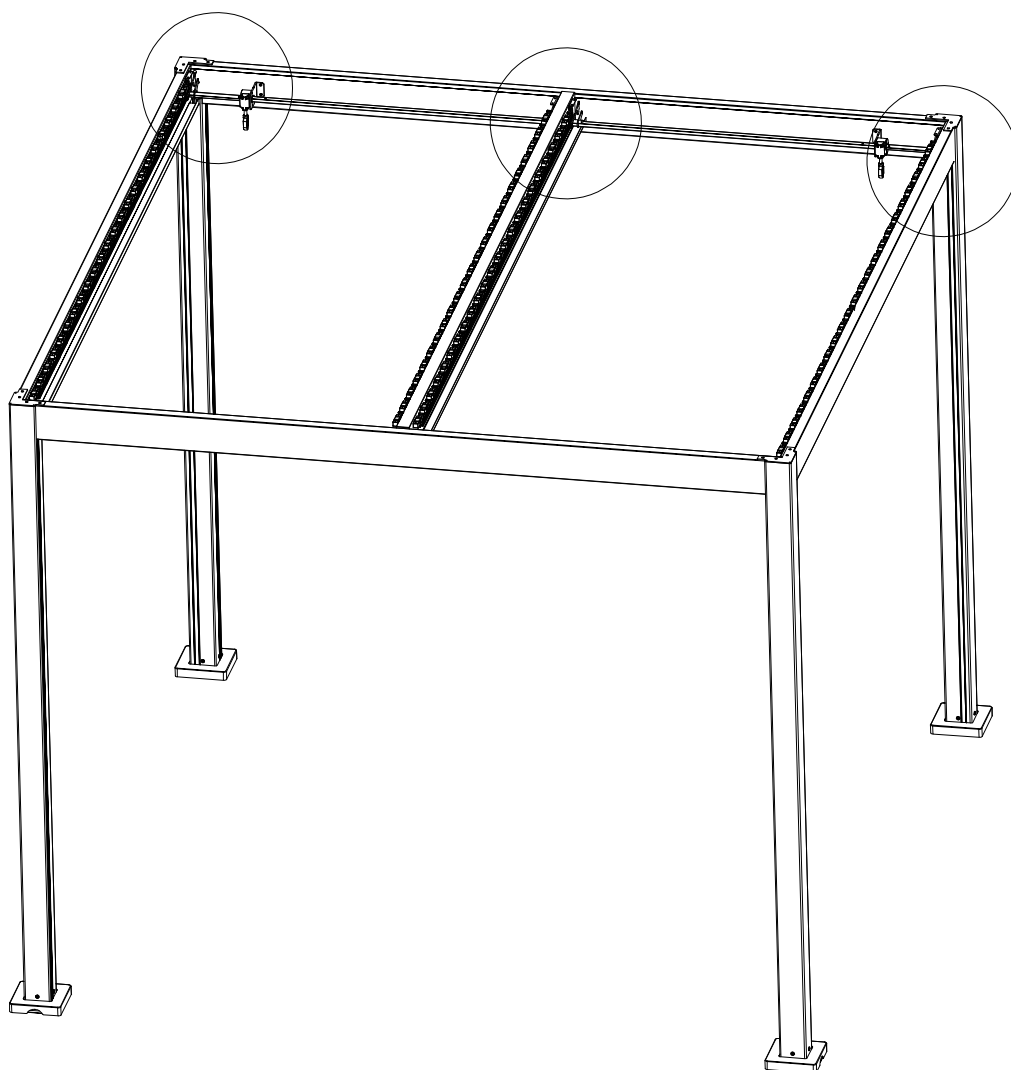
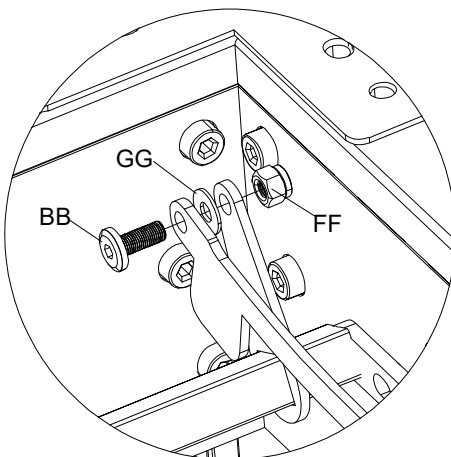


FF:4PCS



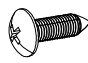
JJ:1PCS

STEP 12

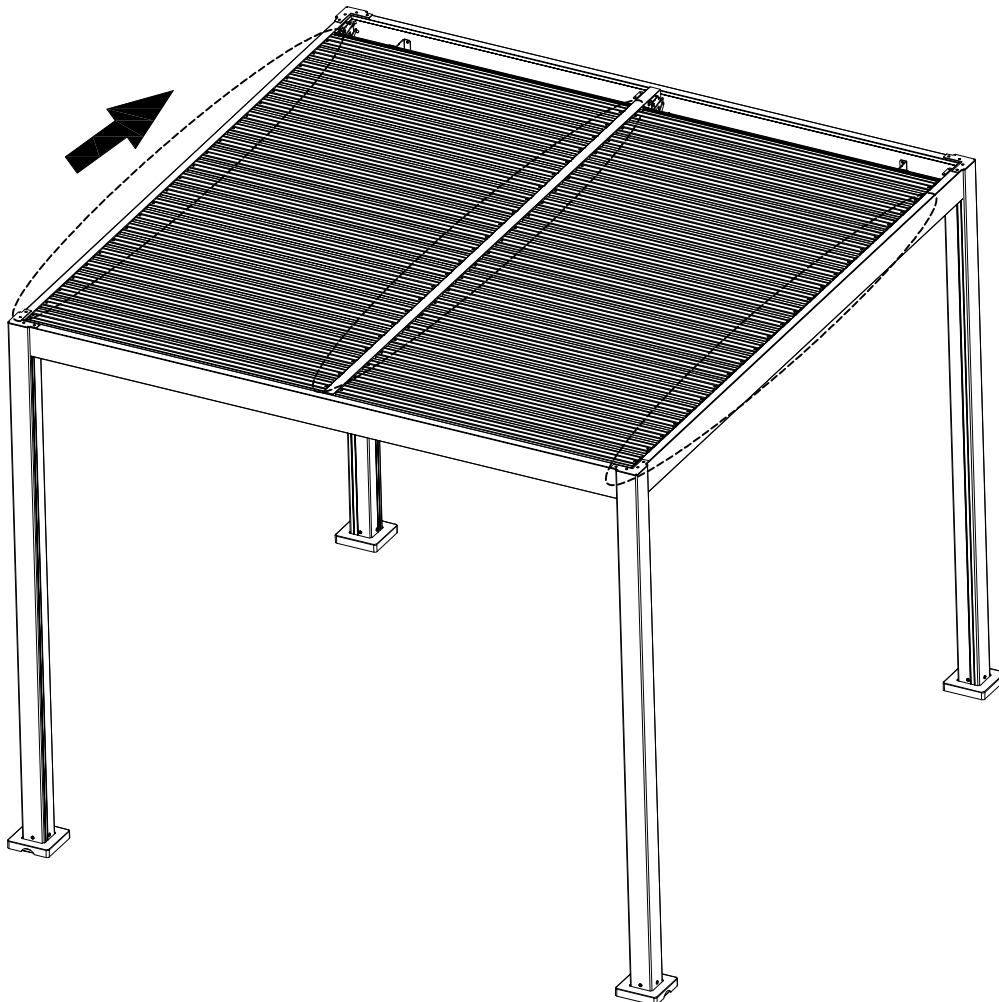
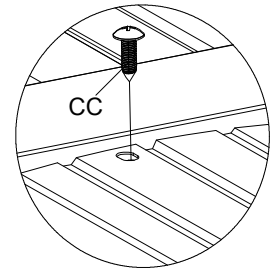
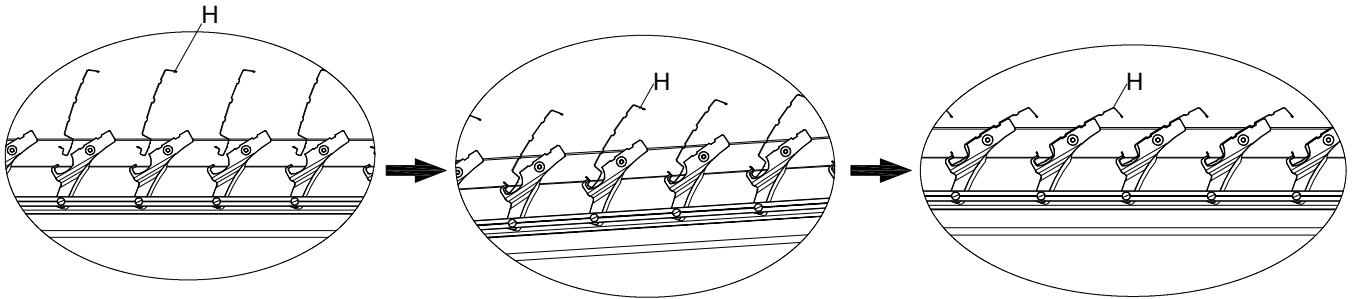


 H:46PCS

 MM:1PCS

 CC:92PCS

STEP 13





G1:2PCS

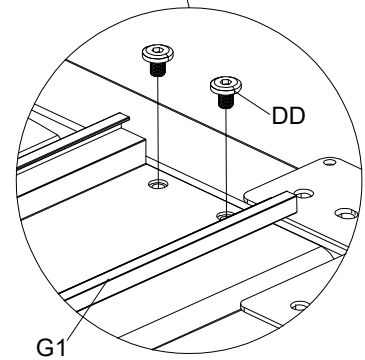
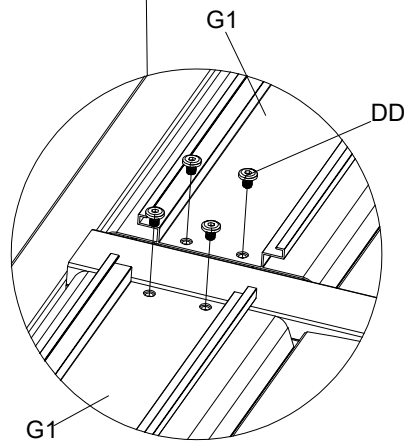
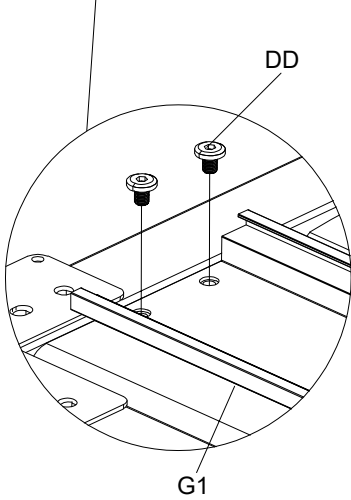
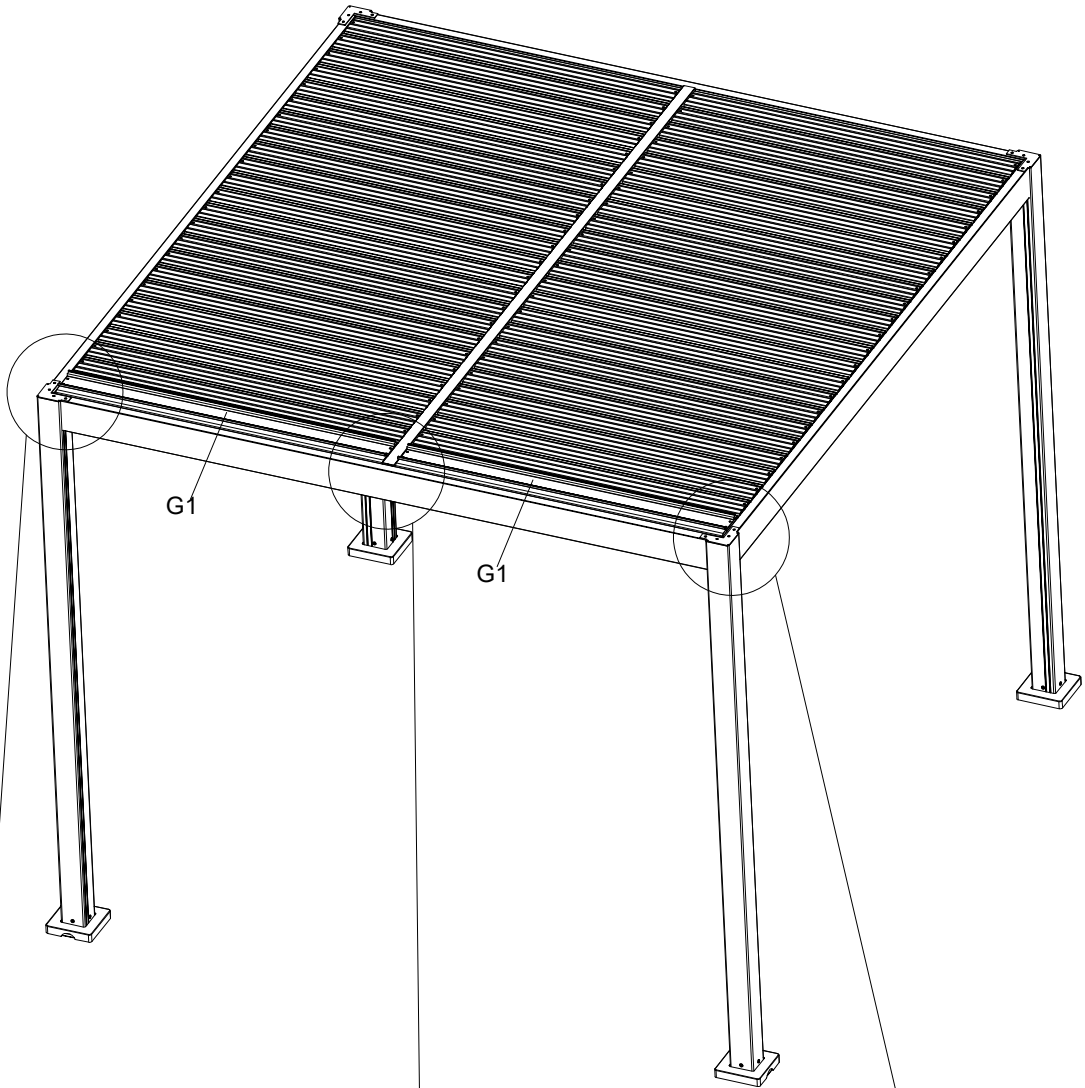


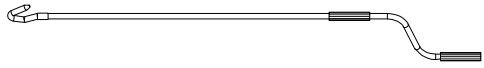
DD:8PCS



KK:1PCS

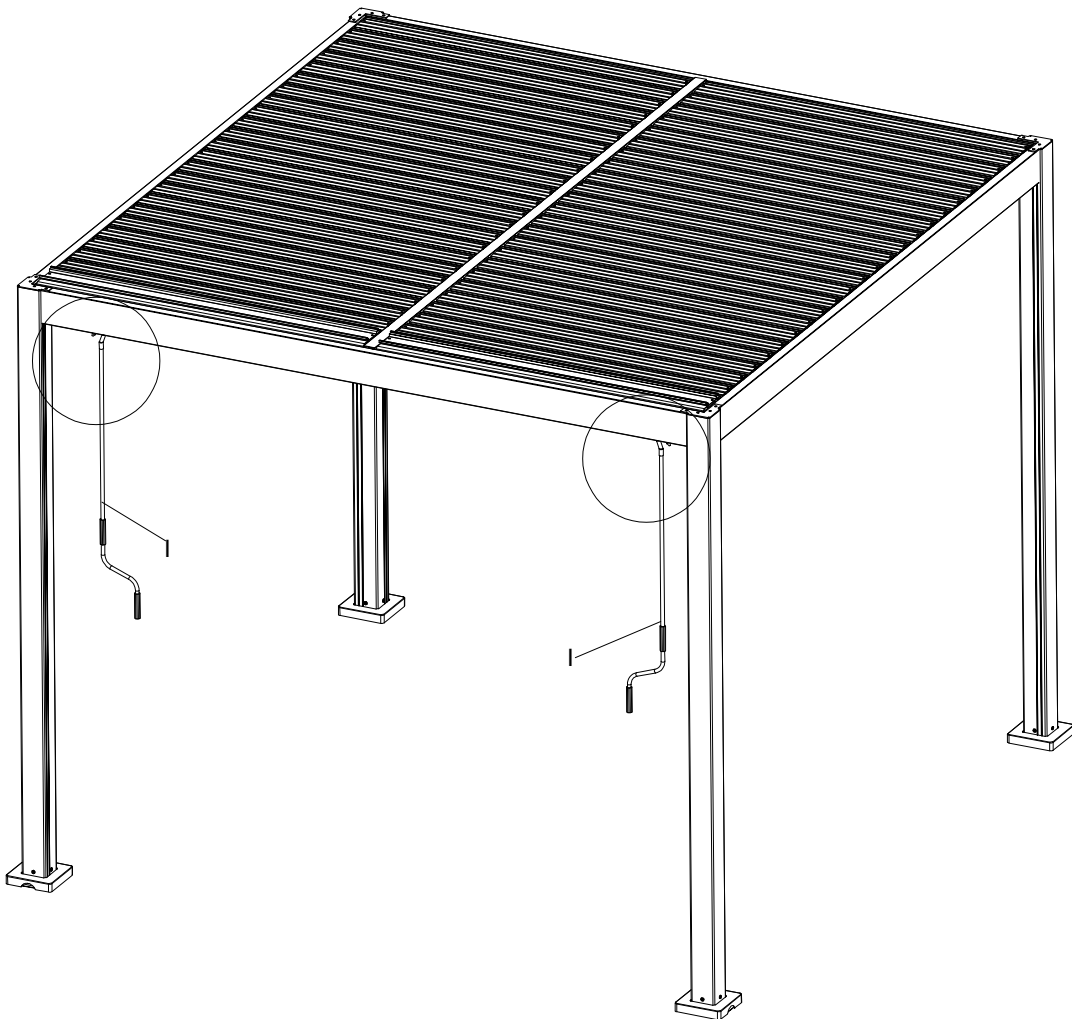
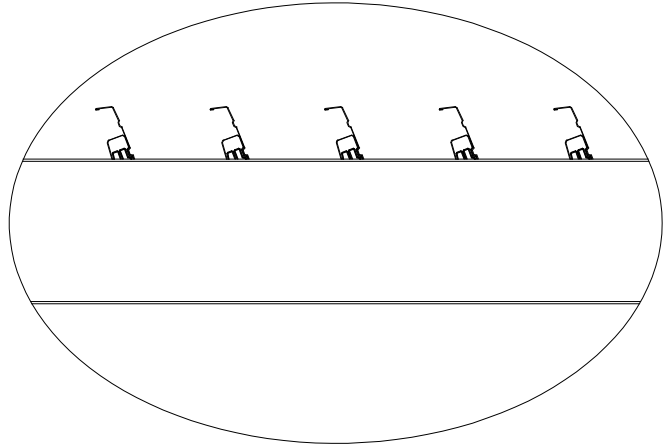
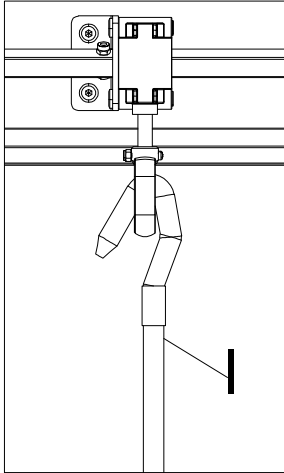
STEP 14



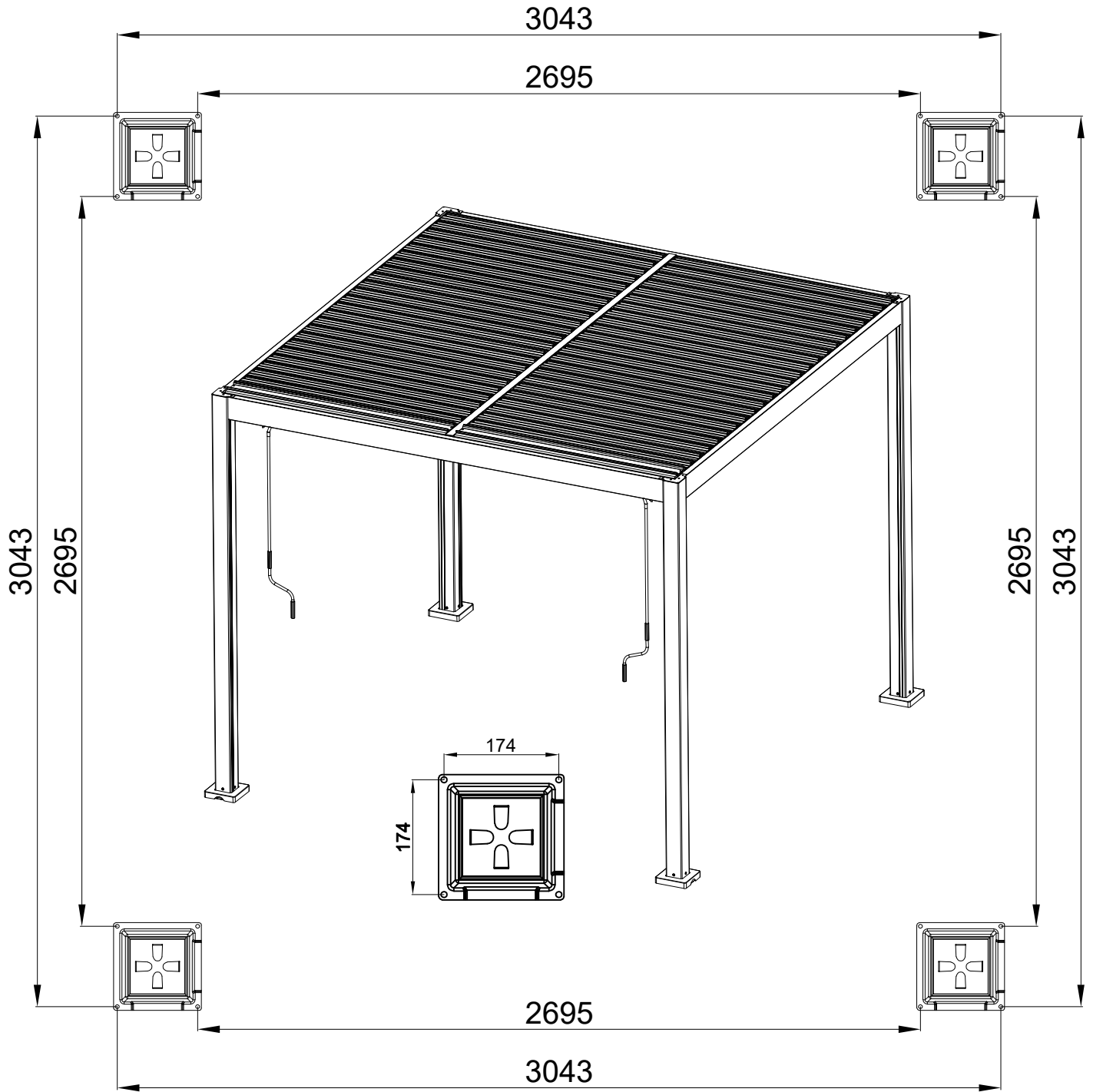


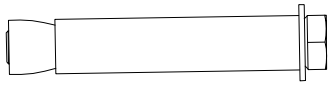
1:2PCS

STEP 15

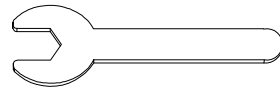


STEP 16





II:16PCS



JJ:1PCS

STEP 17

